



FM 41 exterior roller shade system

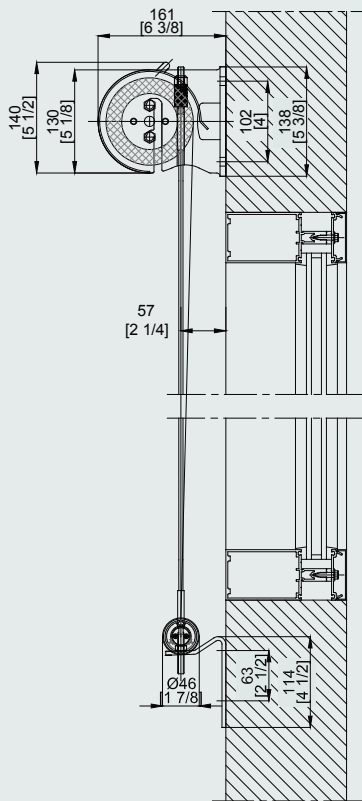
technical card

	Dimension	
	mm	in
Max. Width	3048	120
Min. Width	800	32
Max. Height	3048	120
Min. Height	610	24
Max. Exposed Area	9.30 sq. m	100 sq.ft

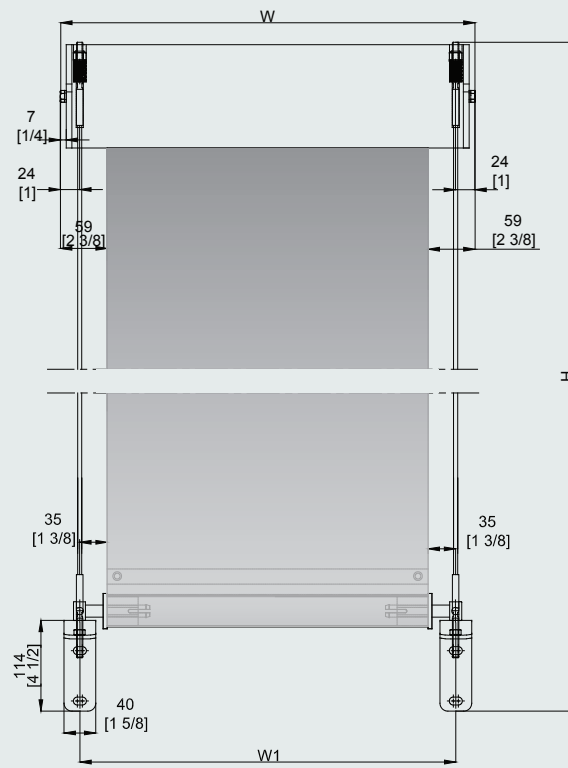
For larger dimensions please consult with our technical department

FM41 EXTERIOR ROLLER SHADE SYSTEM

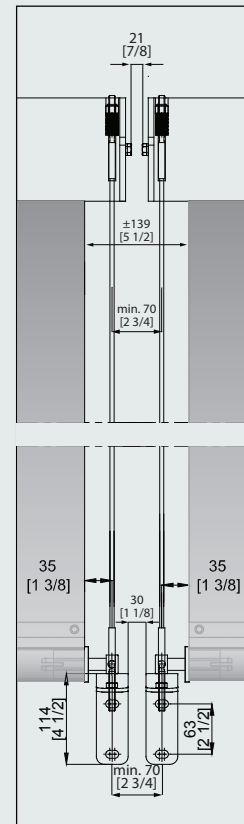
WALL SECTION



ELEVATION



CLEARANCES



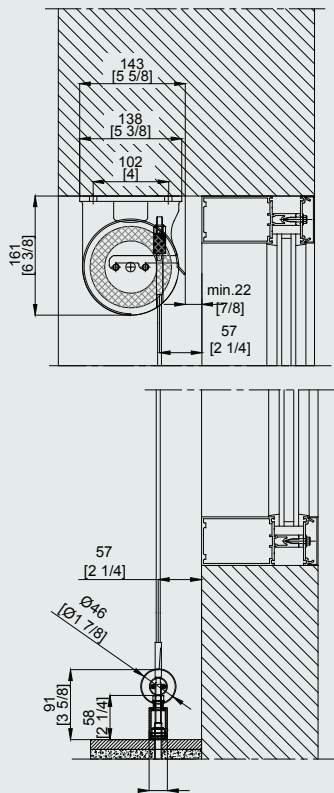
FM 41 exterior roller shade system

technical card

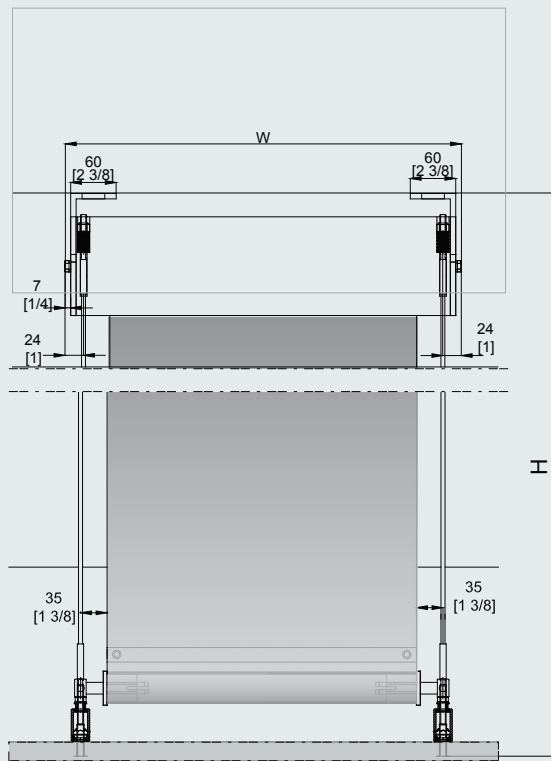
legend

H	Total Height
W	Total Width of Opening

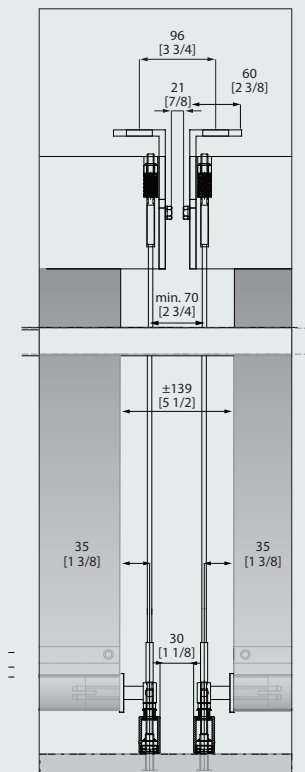
CEILING SECTION



ELEVATION



CLEARANCES



SunProject

Head Office

205 Adesso Drive
Concord, ON, L4K 3C4

T: 905.660.3117

F: 905.660.3365

T: 888.836.6980

F: 800.728.8636

Western Canada Office

21331 Gordon Way, Suite 1160
Richmond, BC, V6W 1J9

T: 604.980.9899

F: 604.980.4707

T: 888.980.9899

F: 866.980.4707

USA

T: 888.836.6980

Contact: sales@sunproject.com

www.sunproject.com

SunProject™