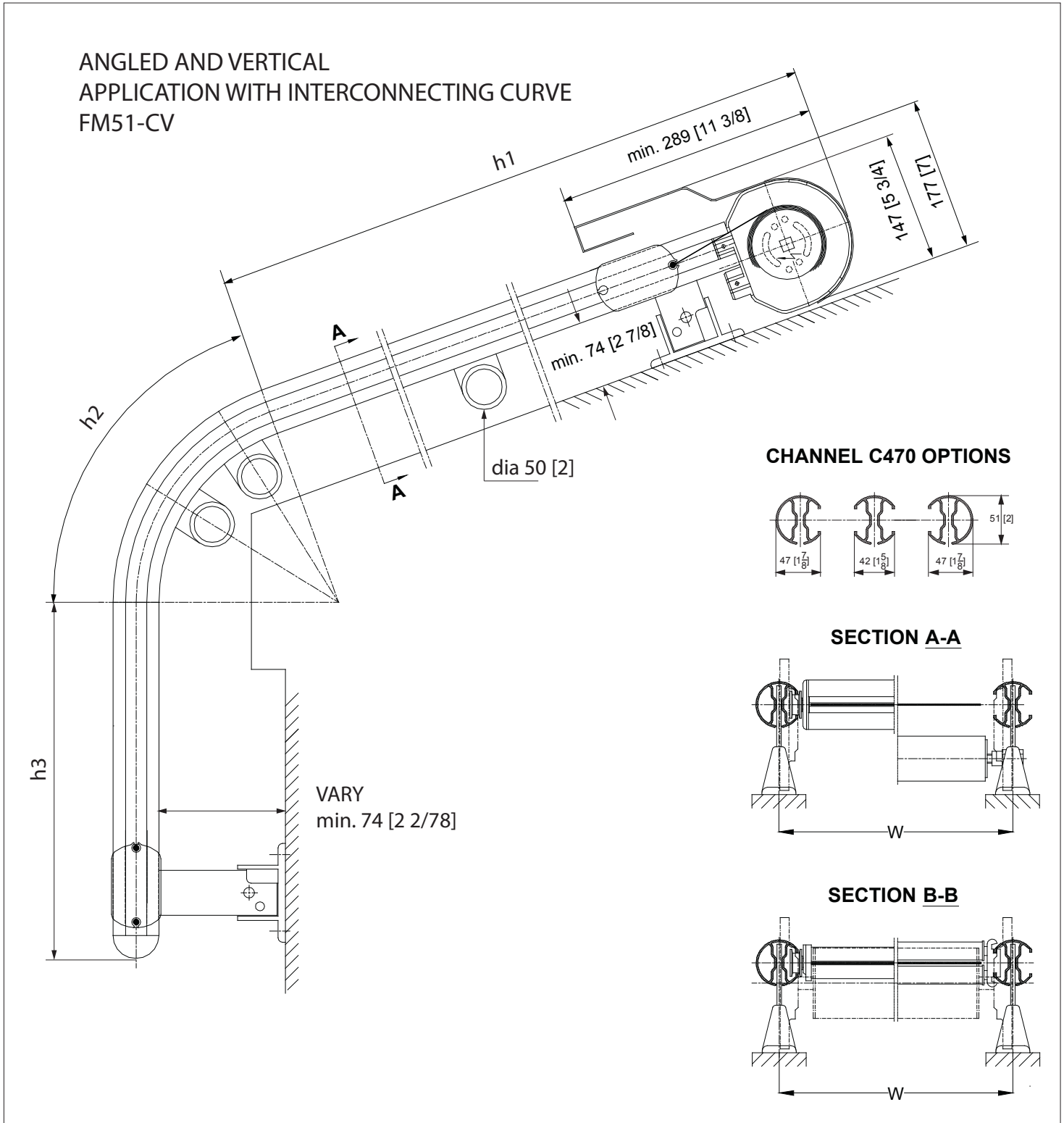


FM 51

Roller Tension System

ANGLED AND VERTICAL APPLICATION WITH INTERCONNECTING CURVE FM51-CV



FM 51

Roller Tension System

