

Makroll

exterior roller shade

SunProject™





Makroll exterior roller shade system

Similar to the FM 41, the Makroll is an exterior roller shade with the addition of its distinctive, elegant hardware made of solid cast Aluminum. The emphasis is on sophisticated aesthetic hardware design, precise detailed end brackets and a variety of expertly crafted attachment options. The Makroll offers a new level of visual sophisticated design with high performance design flexibility.

Exterior roller shades for heat protection

SunProject's automated exterior roller shade system provide an exceptional level of heat protection, they provide a heat shield and stops the heat before it enters into your space which helps to maintain a constant ambient and comfortable environment. It is estimated that by using exterior roller sunscreens only 10% to 15% of the heat penetrates into the room. The SunProject exterior roller shades makes it possible for air to circulate, and considerably reducing the Greenhouse effect. In addition to the advantages of constant ambient temperature and comfort, air conditioning systems have a lighter workload, therefore reducing the operating costs of your building or residence.

Custom floor attachment



Universal bracket wall or floor attachment





An exterior roller sun control product designed to meet the needs of outdoor environments worldwide. Makroll addresses a broad range of standard and customized applications from commercial buildings to homes with a new level of distinctive and versatile design. We've built an integrated product line shaped by sophisticated designed hardware, green materials and finishes, superior construction at competitive pricing.

- High performance, enhanced durability, sophisticated hardware design
- Extensive range of expertly crafted mounting hardware
- Encased and weather protected in a distinctive aluminum housing
- Unobtrusive shading system which can be easily integrated with the overall architectural design element
- Reinforced fabric edges
- Customized dual function bracket system
- Specialty exterior fabrics
- Full automation available for raising, lowering and stopping shades in any position
- Fully automated shading system which can be fully integrated with building management system



CE
CE certified

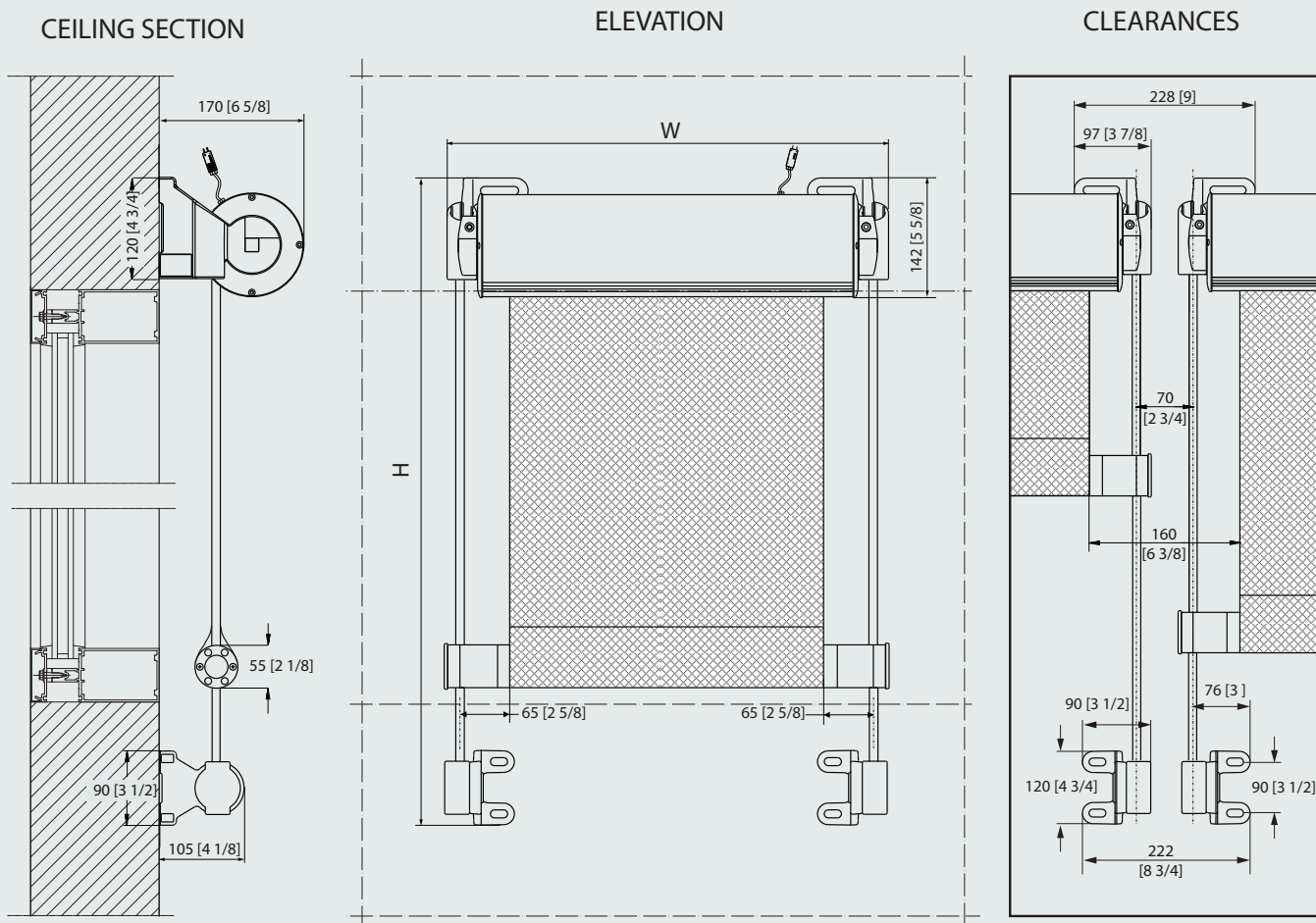


MAKROLL exterior roller shade system

technical card

	Dimension	
	mm	in
Max. Width	3000	118
Max. Height	3500	138

TYPICAL WALL/FRONTAL MOUNT INSTALLATION



MAKROLL exterior roller shade system

technical card

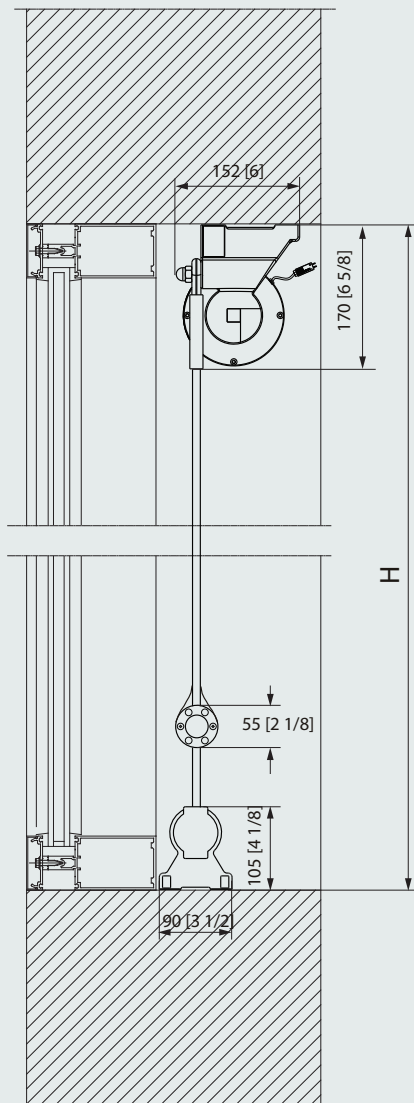
legend

H Total Height

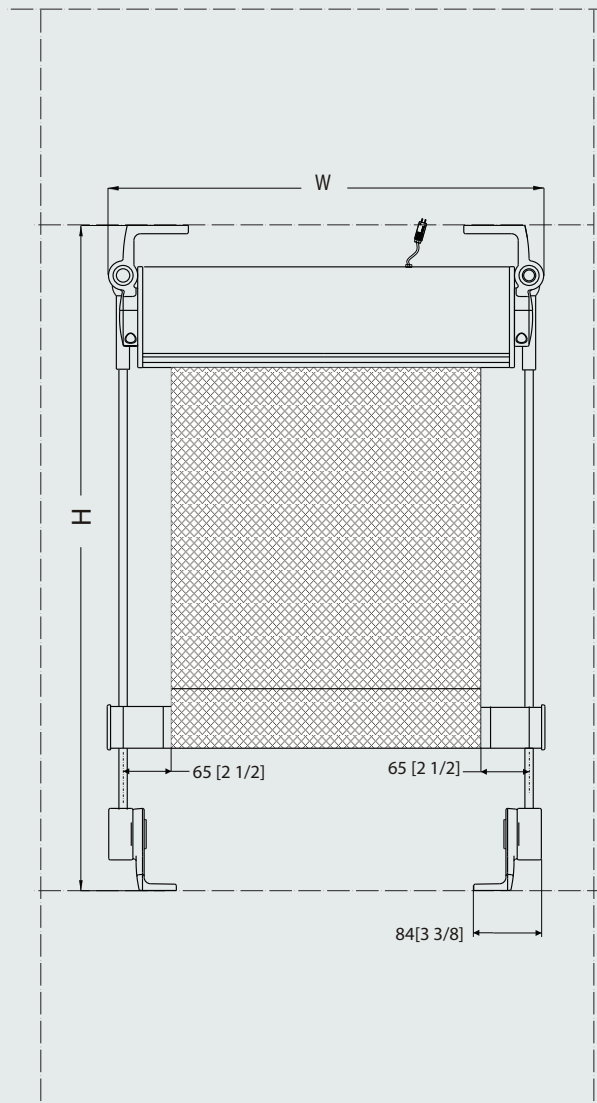
W Total Width of Opening

TYPICAL CEILING/MOUNT INSTALLATION

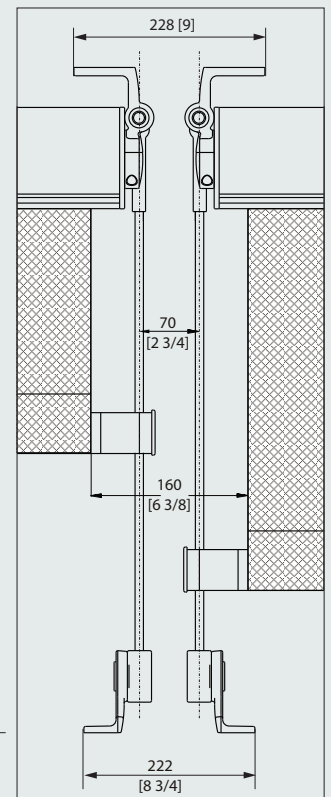
WALL SECTION



ELEVATION



CLEARANCES



SunProject

Head Office

205 Adesso Drive
Concord, ON, L4K 3C4

T: 905.660.3117

F: 905.660.3365

T: 888.836.6980

F: 800.728.8636

Western Canada Office

21331 Gordon Way, Suite 1160
Richmond, BC, V6W 1J9

T: 604.980.9899

F: 604.980.4707

T: 888.980.9899

F: 866.980.4707

USA

T: 888.836.6980

Contact: sales@sunproject.com

www.sunproject.com

SunProject™