

Tekno XTR
features and technology

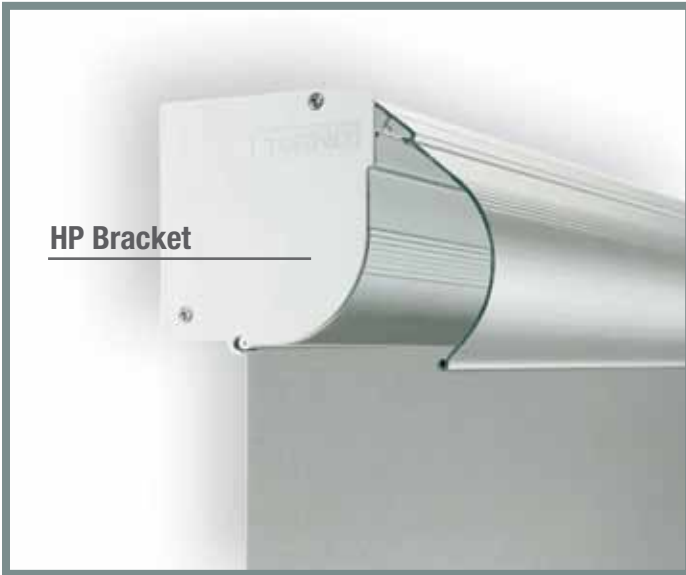
SunProject™



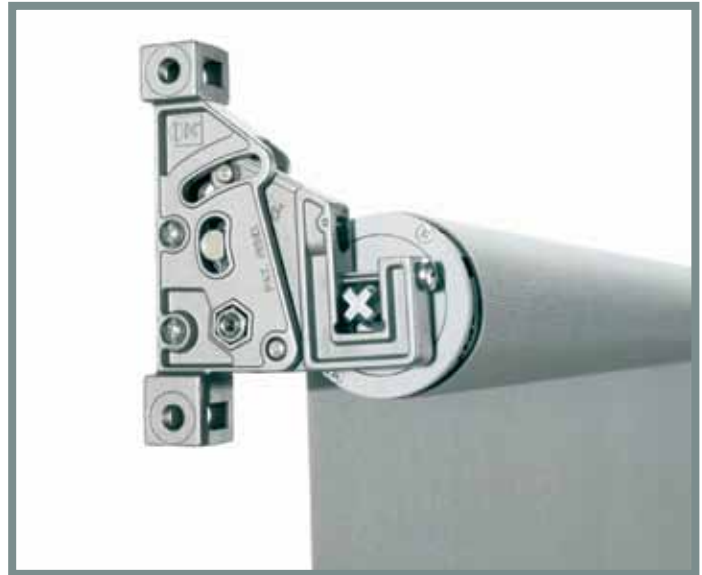
Back to back channels allow for installation where tandem shades are used



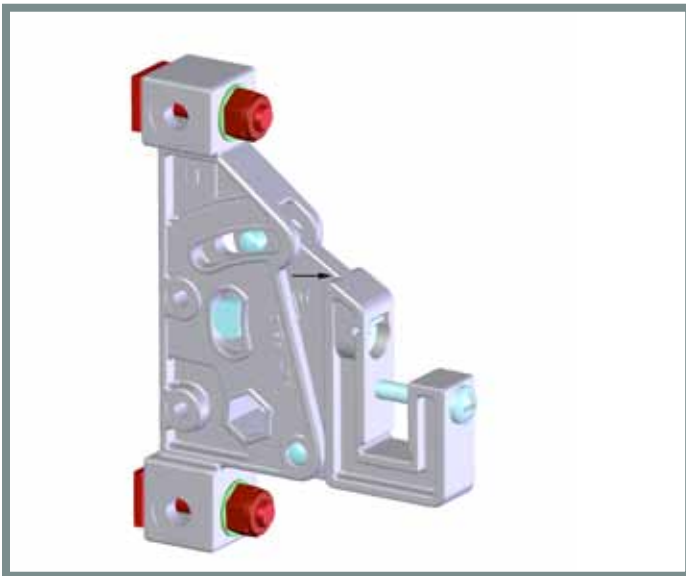
Available with external or fabric wrapped bottom bar



Cassette hood can be accessible for any adjustments or maintenance issue



HP bracket. Architecturally designed cast aluminum bracket available with leveling system. Can be used as a standalone open roll or with the Tekno cassette



The HP bracket has an adjustable design which allows more flexibility for the system



Adjustable roller wheel system travels within T-3 solar tracks assuring stability and alignment